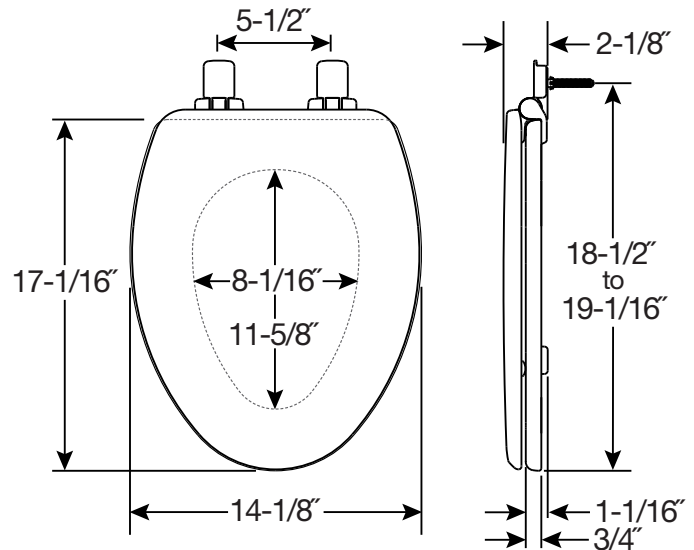




# ASHLAND™ 1600E4

RESIDENTIAL ENAMELED WOOD TOILET SEAT



## FEATURES:

- **STA-TITE® Seat Fastening System™**  
Never Loosens™
- **Easy•Clean™**  
Quickly removes for easy cleaning
- **Whisper•Close®**  
Slowly and quietly closes
- **Precision Seat Fit™**  
1/2\" front-to-back adjustability provides the perfect bowl fit

## SPECIFICATIONS:

- Size:** Elongated
- Material:** Enameled Wood
- Style:** Closed Front with Cover
- Ring Bumpers:** Two
- Hinges:** Plastic
- Hardware:** STA-TITE® Seat Fastening System™



Proudly Made in the USA

Eco-Friendly

